

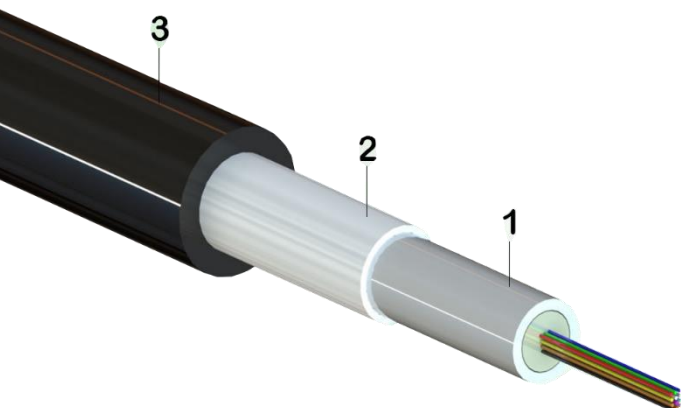
All-dielectric Duct Cables

Cable construction code

UT1EF xx.yy.zz.c

DIN code

J/A-DQ(ZN)H wbg



- 1. Gel filled PBT loose tube with optical fibers
- 2. Water swell-able e-glass yarn
- 3. FRLSZH UV stable outer jacket

Cable general description

Max. 12 fibre uni-tube non-metallic cable with standard rodent protection for indoor or outdoor duct installation.

Construction and dimensions

Loose tube nominal diameter	2,3 mm
Outer jacket nominal thickness	1,0 mm
Cable nominal outer diameter	5,2 mm
Cable informative weight	33 kg/km
Standard put-up length	2100/4100 m ± 5%

Outer jacket

Material	UV stable FRLSZH
Jacket colour	Black. Other colours available on request
Sheath marking	Ink-Jet, white or black depending on the jacket colour
Print legend	Trademark, construction name, cable type, batch-number, meter-marking, CE marking Customer print legend available on request

Optical fibers

Colour coding (IEC 60304)	1.-12.: red, green, blue, yellow, white, grey, brown, violet, turquoise, black, orange, pink
Fiber type	Single- and multi-mode fibers (OS2, OM1, OM2, OM3, OM4)

*Geometrical and transmission parameters are available at separate generic datasheet*

All-dielectric Duct Cables

**Mechanical characteristics**

Test	Test method	Value	Acceptance criteria*
Tensile performance	IEC 60794-1-21:E1	300 N (long term) 1000 N (short term)	$\Delta\alpha \leq 0,05$ dB $\Delta\alpha \leq 0,05$ dB after test
Crush	IEC 60794-1-21:E3A	1000 N/100mm (long term) 2000 N/100mm (short term)	$\Delta\alpha \leq 0,05$ dB prior release, no damage $\Delta\alpha \leq 0,05$ dB after release, no damage
Impact	IEC 60794-1-21:E4	10 Nm, 3 impacts, d=20 mm, R=300 mm	$\Delta\alpha \leq 0,05$ dB after test, no damage
Repeated bending	IEC 60794-1-21:E6	R=20 x cable diameter, 25 cycles	no damage
Torsion	IEC 60794-1-21:E7	L=1 m, rotation angle $\pm 180^\circ$ , 10 cycles	no damage
Bend	IEC 60794-1-21:E11A	d=20 x cable diameter, 4 turns, 3 cycles	$\Delta\alpha \leq 0,05$ dB after test, no damage

**Environmental characteristic**

Test	Test method	Value	Acceptance criteria*
Temperature cycling	IEC 60794-1-22:F1	-30°C ÷ 70°C -35°C ÷ 70°C	$\Delta\alpha \leq 0,05$ dB $\Delta\alpha \leq 0,15$ dB, reversible
Temperature range of use		-5°C ÷ 50°C -30°C ÷ 70°C -35°C ÷ 70°C	installation operation storage, transport
Moisture resistance	IEC 60794-1-22:F5B	L=3 m, 1 m water height, 24 h	no water leakage

\* IEC 60794-3-10, IEC 60794-3-11

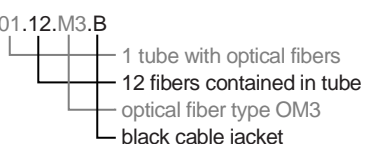
Cable expected lifetime / min. 30 years

**Fire performance**

Test	Test method	Result
Flammability - cable bundle	EN 60332-3-22 (cat.A)	Pass
Smoke density	EN 61034-1, EN 61034-2	Pass
Halogen Free, Acid gases	EN 60754-2	Pass
Euro classification to CPR	EN 50575, EN 13501-6	Dca-s2,d1,a1

**Order information**

Order code e.g.: UT1EF 01.12.M3.B



Detailed explanation of the FOC constructions coding found in the file *FOC coding*.