

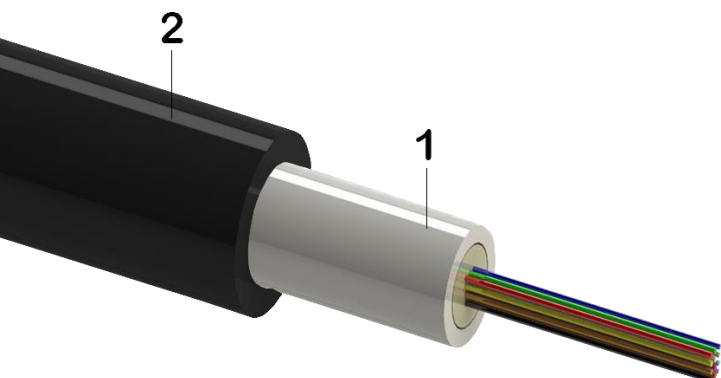
Microcables

Cable construction code

MT1H xx.yy.zz.c

DIN code

A-D2Y



1. Gel filled PBT loose tube with optical fibers
2. HDPE UV stable outer jacket

Cable general description

Max. 12 fibre uni-tube non-metallic micro-cable for outdoor installation to micro-tubes.

Construction and dimensions

Loose tube nominal diameter	2,0 mm
Outer jacket nominal thickness	0,5 mm
Cable nominal outer diameter	3,0 mm
Cable informative weight	8 kg/km
Standard put-up length	2100/4100 m ± 5%

Outer jacket

Material	UV stable HDPE
Jacket colour	Black
Sheath marking	Ink-Jet, white
Print legend	Trademark, construction name, cable type, batch-number, meter-marking Customer print legend available on request

Optical fibers

Colour coding (IEC 60304)	1.-12.: red, green, blue, yellow, white, grey, brown, violet, turquoise, black, orange, pink
Fiber type	Single- and multi-mode fibers (OS2, OM1, OM2, OM3, OM4)

*Geometrical and transmission parameters are available at separate generic datasheet*

Microcables

**Mechanical characteristics**

Test	Test method	Value	Acceptance criteria*
Tensile performance	IEC 60794-1-21:E1	50 N (short term)	$\Delta\alpha \leq 0,05$ dB after test
Crush	IEC 60794-1-21:E3A	500 N/100mm (short term)	$\Delta\alpha \leq 0,05$ dB after release, no damage
Impact	IEC 60794-1-21:E4	1 Nm, 3 impacts, d=20 mm, R=300 mm	$\Delta\alpha \leq 0,05$ dB after test, no damage
Repeated bending	IEC 60794-1-21:E6	R=40 x cable diameter, 25 cycles	no damage
Torsion	IEC 60794-1-21:E7	L=1 m, rotation angle $\pm 180^\circ$ , 10 cycles	no damage
Kink	IEC 60794-1-21:E10	d=40 x cable diameter	no kink
Bend	IEC 60794-1-21:E11A	d=40 x cable diameter, 4 turns, 3 cycles	$\Delta\alpha \leq 0,05$ dB after test, no damage

**Environmental characteristic**

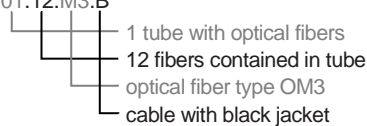
Test	Test method	Value	Acceptance criteria*
Temperature cycling	IEC 60794-1-22:F1	-20°C ÷ 70°C	$\Delta\alpha \leq 0,05$ dB
		-30°C ÷ 70°C	$\Delta\alpha \leq 0,15$ dB, reversible
Temperature range of use		-5°C ÷ 50°C	installation
		-20°C ÷ 70°C	operation
		-30°C ÷ 70°C	storage, transport
Moisture resistance	IEC 60794-1-22:F5B	L=3 m, 1 m water height, 24 h	no water leakage

\* IEC 60794-5-10

Cable expected lifetime / min. 30 years

**Order information**

Order code e.g.: MT1H 01.12.M3.B



Detailed explanation of the FOC constructions coding found in the file *FOC coding*.