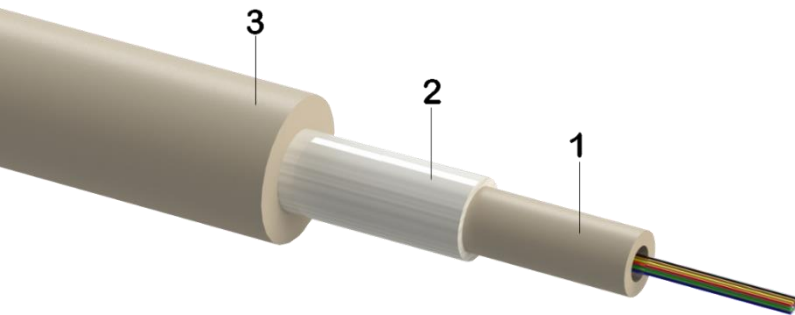


Cable construction code

IFEF FiRis xx.yy.zz.c

DIN VDE code

J-B(ZN)H wbg



1. Dry tube with optical fibers
2. Water-blocking e-glass yarn
3. FRLSZH UV stable outer jacket

Cable general description

Max. 24 fiber uni-tube non-metallic cable with standard rodent protection for indoor installation.

Construction and dimensions

Loose tube nominal diameter	2,4 mm
Outer jacket nominal thickness	0,9 mm
Cable nominal outer diameter	5,4 mm
Cable informative weight	32 kg/km
Standard put-up length	2100/4100 m ± 5%

Outer jacket

Material	UV stable FRLSZH
Jacket color	Ivory. Other colors available on request
Sheath marking	Ink-Jet, white or black depending on the jacket color
Print legend	Trademark, construction name, cable type, batch-number, meter-marking, CE marking, Customer print legend available on request

Optical fibers

Color coding (IEC 60304)	1.-12.:	red, green, blue, yellow, white, grey, brown, violet, turquoise, black, orange, pink
	13.-24.:	red, green, blue, yellow, white, grey, brown, violet, turquoise, natural, orange, pink ring-marked
Fiber type	Single- and multi-mode fibers (OS2, OM2, OM3, OM4, OM5)	

Geometrical and transmission parameters are available at separate generic datasheet

DATA SHEET

MECHANICAL DATA

Test	Test method	Value	Acceptance criteria
Tensile performance	IEC 60794-1-21:E1A	1000 N (short term)	$\Delta\alpha \leq 0,05$ dB after test
Crush	IEC 60794-1-21:E3A	500 N/100mm (long term)	$\Delta\alpha \leq 0,05$ dB prior release, no damage
		1000 N/100mm (short term)	$\Delta\alpha \leq 0,05$ dB after release, no damage
Impact	IEC 60794-1-21:E4	5 Nm, 3 impacts, d=20 mm, R=12,5 mm	no fiber breakage
Repeated bending	IEC 60794-1-21:E6	R=20 x cable diameter, 25 cycles, m = 4 kg	no damage
Torsion	IEC 60794-1-21:E7	L=1 m, rotation angle $\pm 180^\circ$ 10 cycles, F = 20 N	no fiber breakage
Kink	IEC 60794-1-21:E10	d=20 x cable diameter	no kink
Bend no tension	IEC 60794-1-21:E11A	R=20 x cable diameter, 6 turns, 10 cycles, 23°C	no fiber breakage

CLIMATICAL DATA

Test	Test method	Value	Acceptance criteria*
Temperature cycling	IEC 60794-1-22:F1	-20°C ÷ 60°C	$\Delta\alpha \leq 0,05$ dB
		-25°C ÷ 60°C	$\Delta\alpha \leq 0,15$ dB, reversible
Temperature range of use		-5°C ÷ 50°C	installation
		-20°C ÷ 60°C	operation
		-25°C ÷ 60°C	storage, transport

* IEC 60794-2-20

FIRE PERFORMANCE

Test	Test method	Value
Euro classification to CPR	EN 50575, EN 13501-6	B2ca-s1,d0,a1

Cable expected lifetime / min. 30 years